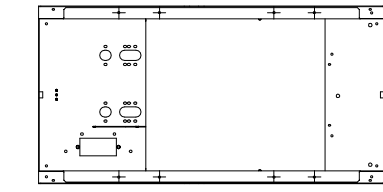
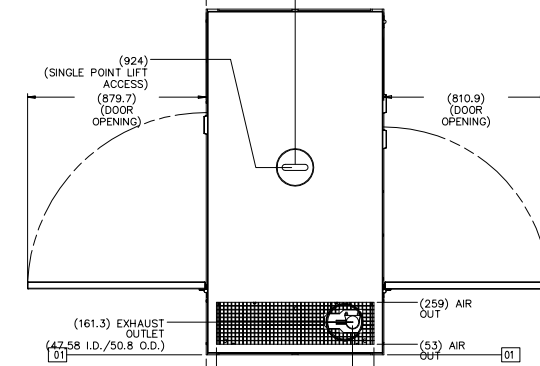
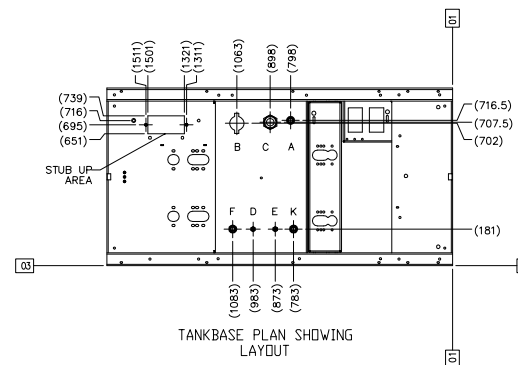
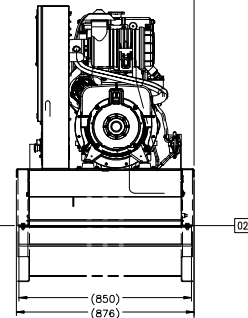
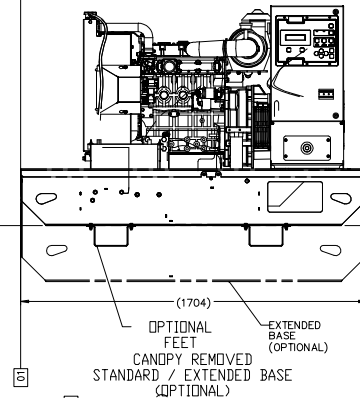
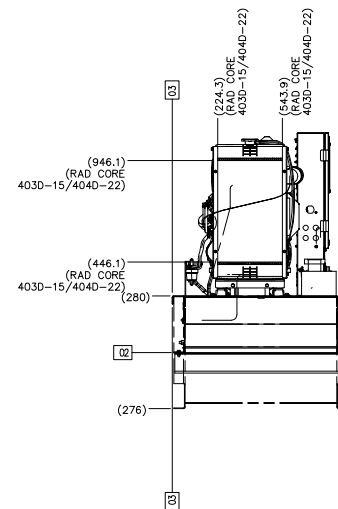


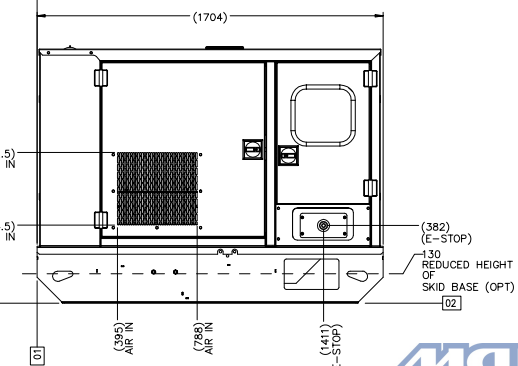
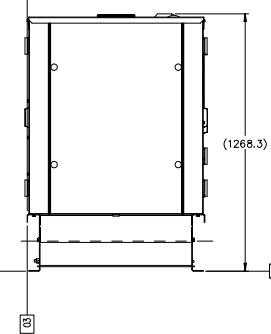
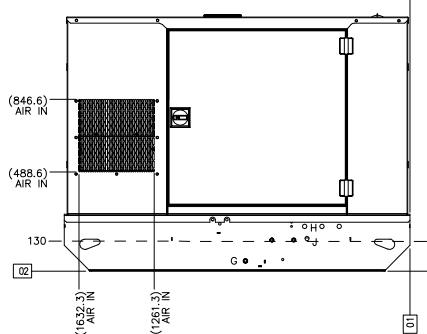
GENSET MODEL FSW	ENGINE MODEL	ALTERNATOR MODEL	WEIGHT			CENTRE OF GRAVITY FROM FRONT FACE [01]
			WITH LUBE OIL KGS	WITH OIL & WATER KGS	WITH OIL, WATER & FUEL KGS	
P9.5-4	403D-11G	LL1114B	561	568	612	TBC
K12.5-1	V1505-BG2	LL1114D	495	501	545	831
P13.5-6	403D-15	LL1114D	636	643	687	TBC
P18-6	404D-22G1	LL1114H	699	706	750	877
P22-6	404D-22G	LL1114M	712	719	763	895

USABLE FUEL CAPACITY = 45 LITRES

METRIC 370-7257		
SOCKET	DESCRIPTION	SIZE
A	FUEL LEVEL SWITCH	1" BSPP
B	FUEL FILL	2" BSPP
C	FUEL GAUGE	1 1/2" BSPP
D	FUEL SUPPLY	1/2" BSPP
E	FUEL RETURN	1/2" BSPP
F	REMOTE SUPPLY	1" BSPP
G	FUEL DRAIN	1" BSPP
H	COOLANT DRAIN	1/2" BSPP
J	LUBE OIL DRAIN	1/2" BSPP
K	REMOTE RETURN	1" BSPP



GROUND FIXING LOCATIONS - TANKBASE VIEW FROM BOTTOM



1E2966B	IDENT		
1E0507E	IDENT		
1E0198W	LETTERS		
1E0013Y	CONFIDENTIALITY		
1E00011	INTPR & TOL		
UNLESS OTHERWISE SPECIFIED DIMENSIONS ARE IN MM DIMENSIONS X/0.01 ARE BASIC			
THIRD ANGLE PREDICTOR		VERSION	PRIMARY
		TYPE	RECORDING
		DATE	04/11/79
		FILE NUMBER	MF 759
GENERAL AIR-COMPL			
370-7257		REV	04