

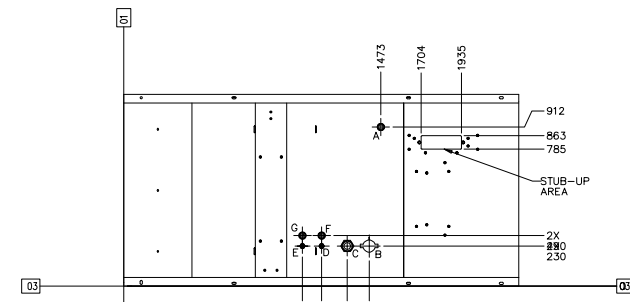
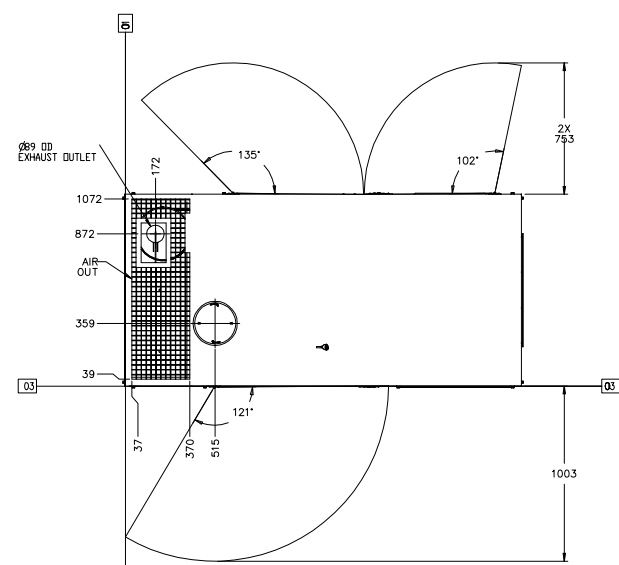
GENSET MODEL	ENGINE MODEL	ALTERNATOR MODEL	WEIGHT			SKID WEIGHT		TANK CENTER OF GRAVITY FROM 01	SKID CENTER OF GRAVITY FROM 01
			WITH OIL (kg)	WITH OIL & WATER (kg)	OIL, WATER & FUEL (kg)	WITH OIL	WITH OIL & WATER (kg)		
MARELLI ALTERNATOR									
P88-3	1104A-TG2	MJB 200 LA4	1189	1202	1345	1137	1150	TBC	TBC
LEROY SOMER ALTERNATOR									
P88-3	1104A-TG2	LL31140	1164	1177	1320	1112	1125	TBC	TBC

TANK CAPACITY (LITRES)	
FILLABLE	USABLE
188	169

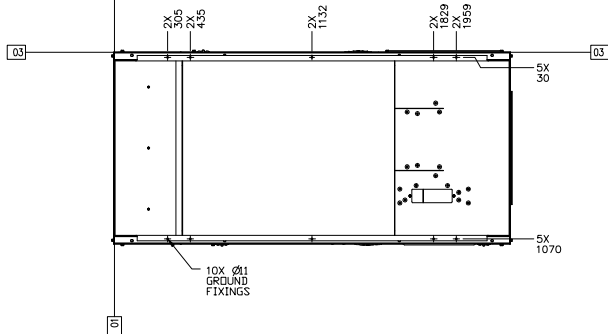
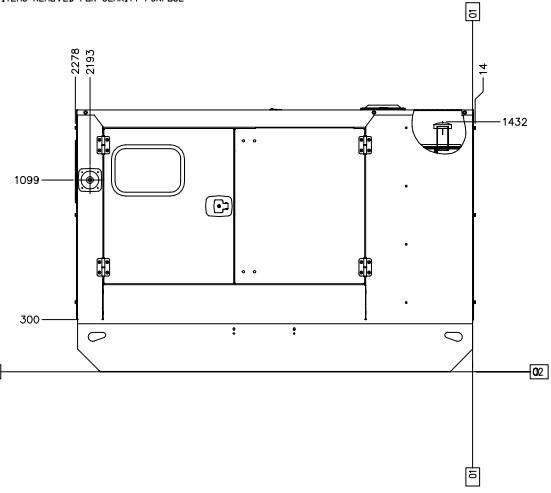
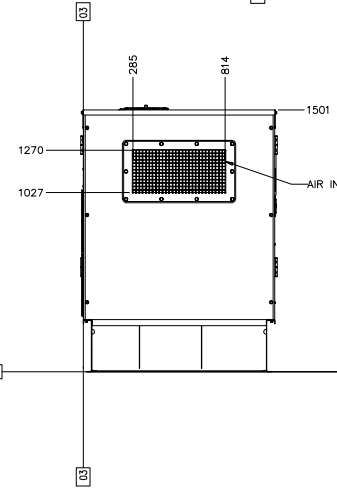
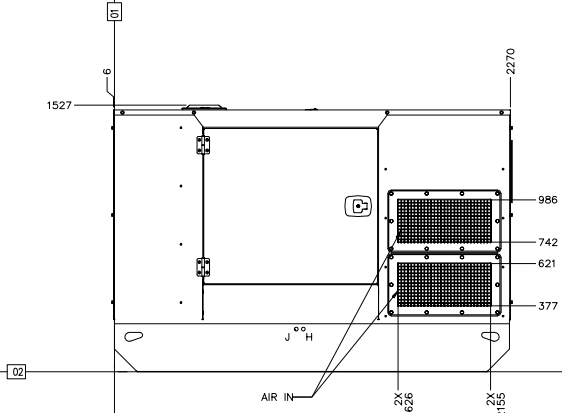
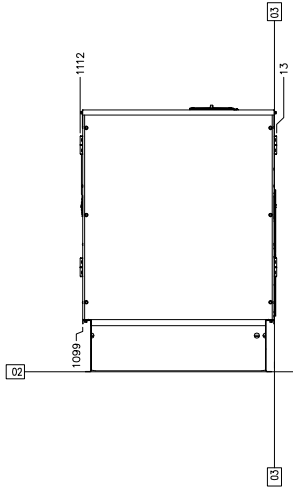
NOTE: DESIGN PRESSURE HEAD
1400 mm

METRIC 449-5887

SOCKET	DESCRIPTION	SIZE
A	FUEL LEVEL SWITCH	1" BSPP
B	FUEL FILL	2" BSPP
C	FUEL GAUGE	1 1/2" BSPP
D	FUEL SUPPLY	1/2" BSPP
E	FUEL RETURN	1/2" BSPP
F	REMOTE SUPPLY	1" BSPP
G	REMOTE RETURN	1" BSPP
H	SKID FUEL SUPPLY	1/4" BSPP
J	SKID FUEL RETURN	1/4" BSPP



SOCKET LAYOUT
ITEMS REMOVED FOR CLARITY PURPOSE



1E2722B	DRAWING
1E0198W	LETTERS
1E0013Y	CONFIDENTIALITY
1E0012A	INTERPRETATION
1E0011	IN TPR & CONFIDENTIAL
Yellow	Print
UNLESS OTHERWISE SPECIFIED	UNLESS OTHERWISE SPECIFIED
INDICATES ARE TO BE USED	INDICATES ARE TO BE USED
INDICATES V/O TO ARE BASIC	INDICATES V/O TO ARE BASIC
PRODUCTION	PRODUCTION
10759	10759

GENERAL AR-GENSET

449-5887