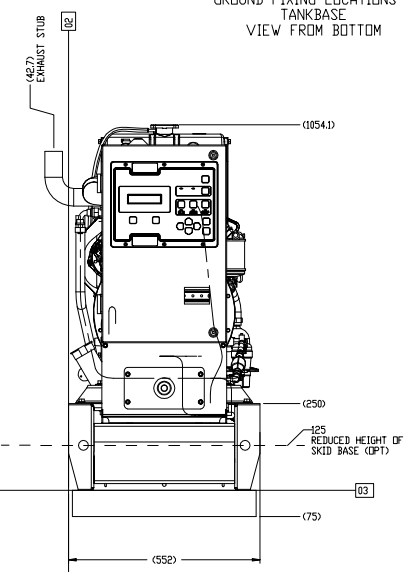
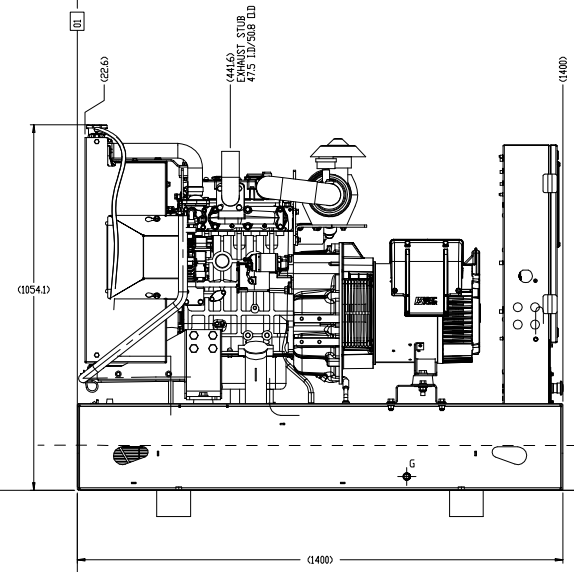
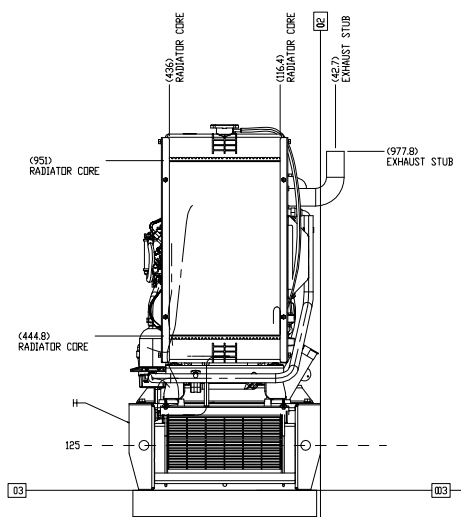
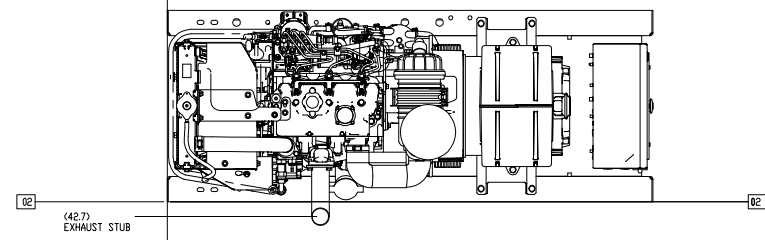
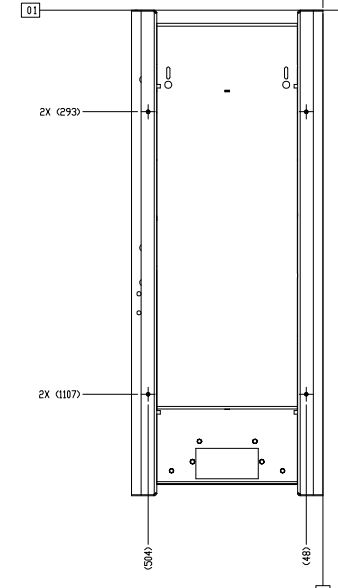
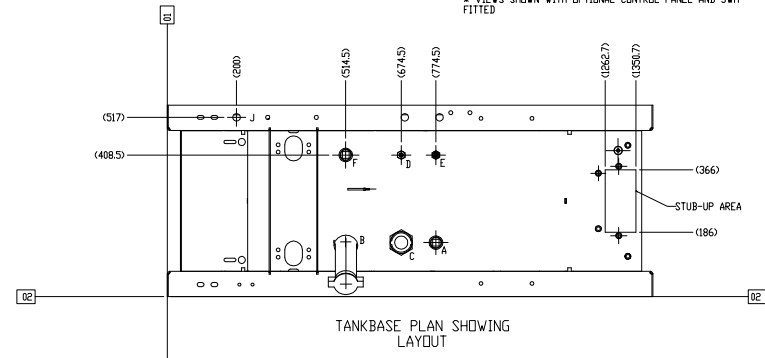


GENSET MODEL FGW	ENGINE MODEL	ALTERNATOR MODEL	WEIGHT			CENTER OF GRAVITY FROM O1	
			WITH LUBE OIL KGS	WITH OIL & WATER KGS	WITH OIL, WATER & FUEL KGS	OPEN	ENCLOSED
P13.5-6	4030-15G	LL1114D	371	377	425	TBC	TBC

* USABLE FUEL CAPACITY = 55 LITRES
 * VIEWS SHOWN WITH OPTIONAL CONTROL PANEL AND JWH
 FITTED

METRIC 370-7250		
SOCKET	DESCRIPTION	SIZE
A	FUEL LEVEL SWITCH	1" BSPP
B	FUEL FILL	2" BSPP
C	FUEL GAUGE	1 1/2" BSPP
D	FUEL SUPPLY	1/2" BSPP
E	FUEL RETURN	1/2" BSPP
F	REMOTE SUPPLY	1" BSPP
G	FUEL DRAIN	1" BSPP
H	COOLANT DRAIN	1/2" BSPP
J	LUBE OIL DRAIN	1/2" BSPP



HE2728	DRAWING
HE019W	LETTERS
HE003Y	CONFIDENTIALITY
HE0001	INTER & TOL
<input type="checkbox"/> REVISION <input type="checkbox"/> DIMENSIONS W/O TOL ARE BASIC <input type="checkbox"/> TERN ANGLE <input type="checkbox"/> PRODUCTION	
SHEET 1 OF 1 CONFIDENTIALITY CONFIDENTIALITY	
TFC WILSON GENERAL AR-COMPL	
370-7250 [DK] 02 E	