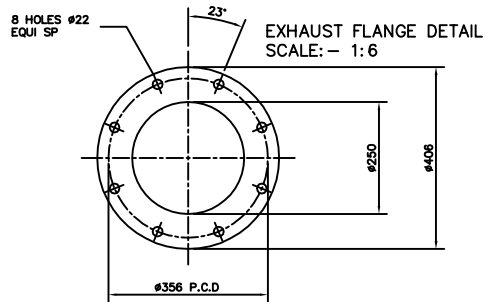


ITEM	QTY.	AUXILIARY CONNECTORS	DIM.X	DIM.Y	DIM.Z
A	1	FUEL SUPPLY 3/4" BSP	1870	282	1715
B	1	FUEL RETURN 3/4" BSP	2020	282	1715
C	1	OIL DRAIN OUTLET 1" BSP	3020	100	1715
D	1	DRIP TRAY OUTLET 3/4" BSP	4095	60	585
E	1	DRIP TRAY OUTLET 3/4" BSP	4095	60	1715
F	1	RADIATOR DRAIN 3/4" BSP	757	83	230
G	1	RADIATOR DRAIN 3/4" BSP	757	83	2070

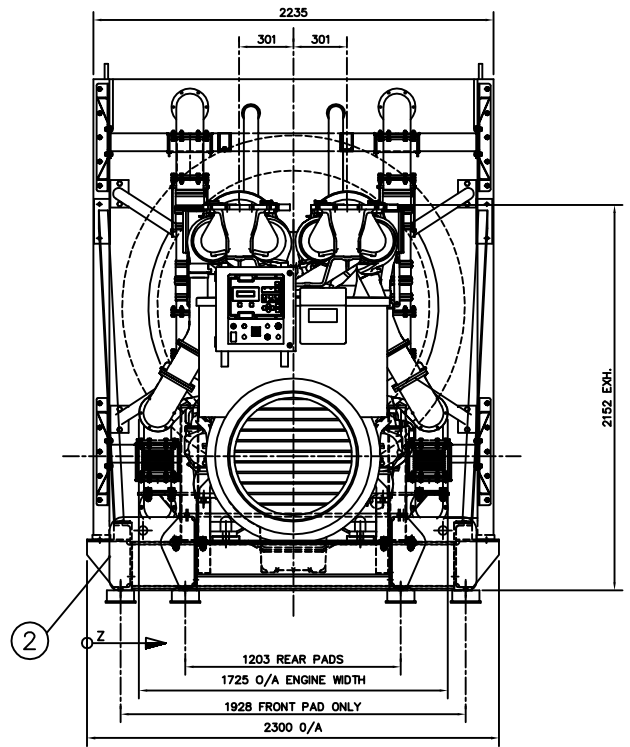
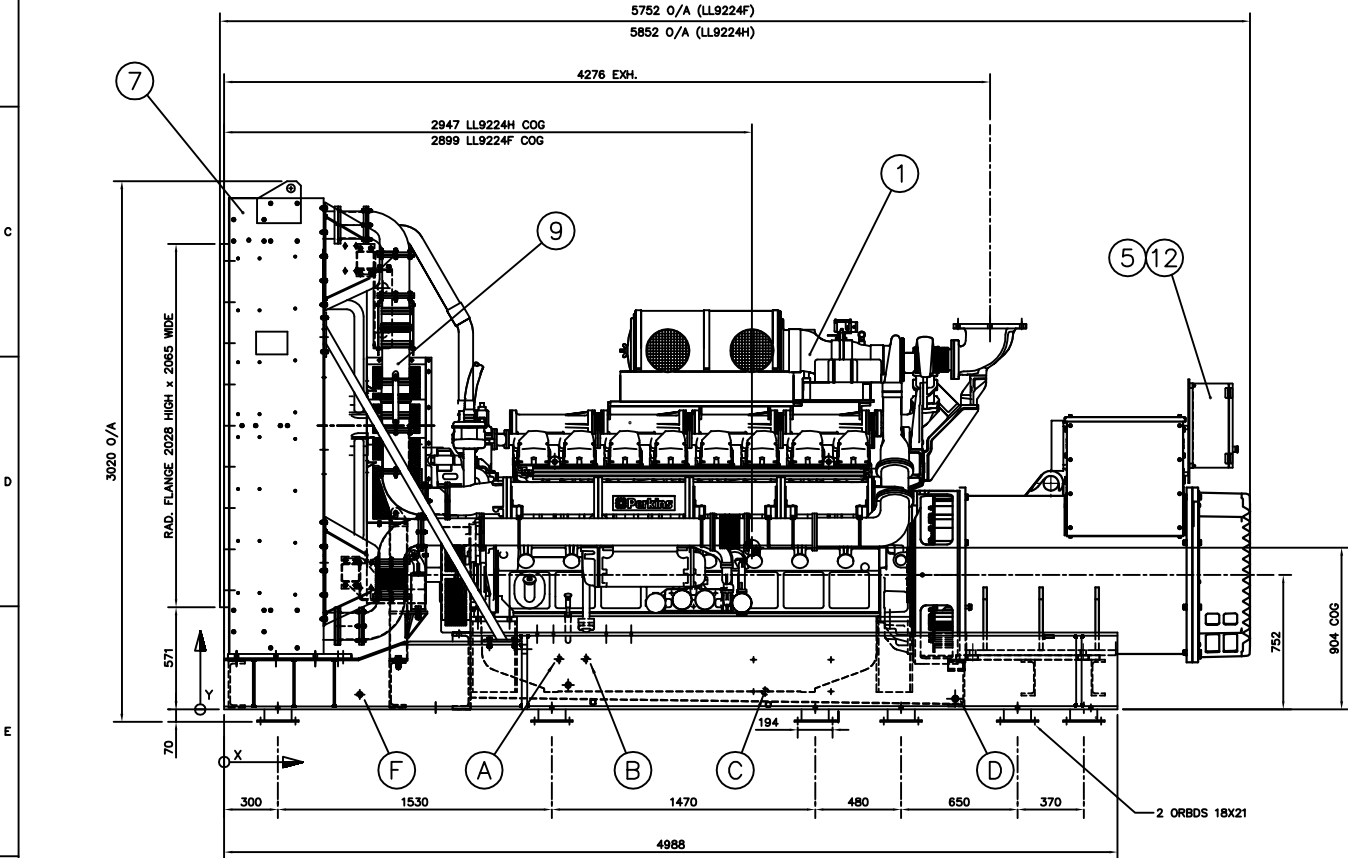
WEIGHT (kg) LL9224F	
(WITH OIL)	(WITH OIL & WATER)
15139	15455

WEIGHT (kg) LL9224H	
(WITH OIL)	(WITH OIL & WATER)
15364	15680



ITEM	QTY	DESCRIPTION	DRG./PART NO.
1	1	ENGINE/ALTERNATOR COMBINATION	366-4300
2	1	SKIDBASE GROUP	MGS4320
3	1	FUEL LINE GROUP	MGS4340
4	1	FUEL COOLER GROUP	MGS4240
5	1	CONTROL PANEL (IF FITTED)	-
6	1	BATTERY GROUP	MGS4217
7	1	RADIATOR PEDESTAL GROUP	MGS4226
8	1	WATER CIRCUIT ASSY GROUP	MGS4232
9	1	CHARGE AIR ASSY GROUP	MGS4430
10	1	BREAKER (IF FITTED)	-
11	1	COUPLING GROUP	MGS4212
12	1	PANEL UPFIT GROUP	384-7987
13	1	SENDERS GROUP	MGS4312
14	1	HAZARD LABELS GROUP	MGS4211
15	1	FAN & PULLEY GUARD GROUP	MGS4238

* ITEMS NOT SHOWN



ISSUE	DESCRIPTION	ECR/DCR	BY	DATE	H	GA	REVISED TO REFLECT CHANGES TO BASEFRAME AND ALTERNATOR	38290	A.M.	04/07/13
G	ENGINE/ALT GP & PANEL UPFIT GP UPDATED. EIM REMOVED	33623	J.C.	14/11/12						
F	AWM POSITIONS AND PANEL LOCATION CORRECTED.	34949	J.C.	23/08/11						
E	MODIFIED GA TO SHOW THE CHANGE OF BELLOWS.	33085	SG	27/01/11						
D	PART LOCATIONS FOR 5 AND 12 CORRECTED	31663	SG	16/06/10						
C	REPLACED PANEL WITH POWER WIZARD PANEL AND REMOVED MGS3425	27580	R.P.	28/06/07						
B	E8/7: - HOLES IN FRONT LIFTING LUGS MOVED FROM 2100 PITCH TO 1675	21195	V.Y.	13/12/02						
A	FIRST ISSUE	-	V.Y.	04/07/01						

TOLERANCES EXCEPT WHERE OTHERWISE STATED 0 - 500mm ± 1mm 500 - 2000mm ± 2mm OVER 2000mm ± 3mm STRUCTURAL ± 3mm ANGULAR ± 1°	DRN. BY V.YOUNG DATE 08/03/02	TITLE G.A. OF 4016TAG/1A/2A ENGINE, LEROY LL9224F/H ALTERNATOR AND COVRAD CRDA0490L1 RAD.
	APD. BY DATE	SHEET SIZE A1 ORIGINAL SCALE 1:15 DRAWING NO. MGA5982 ISSUE H

THIS DRAWING IS COPYRIGHTED AND MAY BE COPIED ONLY FOR THE PURPOSES OF MAINTAINING THE PURCHASED EQUIPMENT BY THE PURCHASER.

ALL DIMENSIONS IN MILLIMETRES UNLESS OTHERWISE STATED

DO NOT SCALE