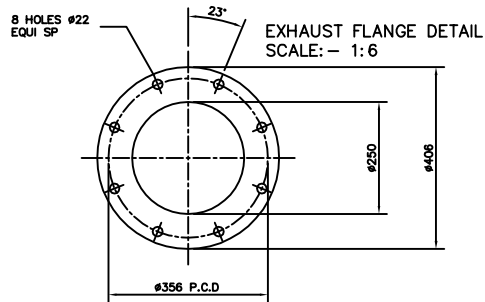


ITEM	QTY.	AUXILIARY CONNECTORS	DIM.X	DIM.Y	DIM.Z
A	1	FUEL SUPPLY 3/4" BSP	1870	282	1715
B	1	FUEL RETURN 3/4" BSP	2020	282	1715
C	1	OIL DRAIN OUTLET 1" BSP	3020	100	1715
D	1	DRIP TRAY OUTLET 3/4" BSP	4095	60	585
E	1	DRIP TRAY OUTLET 3/4" BSP	4095	60	1715
F	1	RADIATOR DRAIN 3/4" BSP	757	83	230
G	1	RADIATOR DRAIN 3/4" BSP	757	83	2070

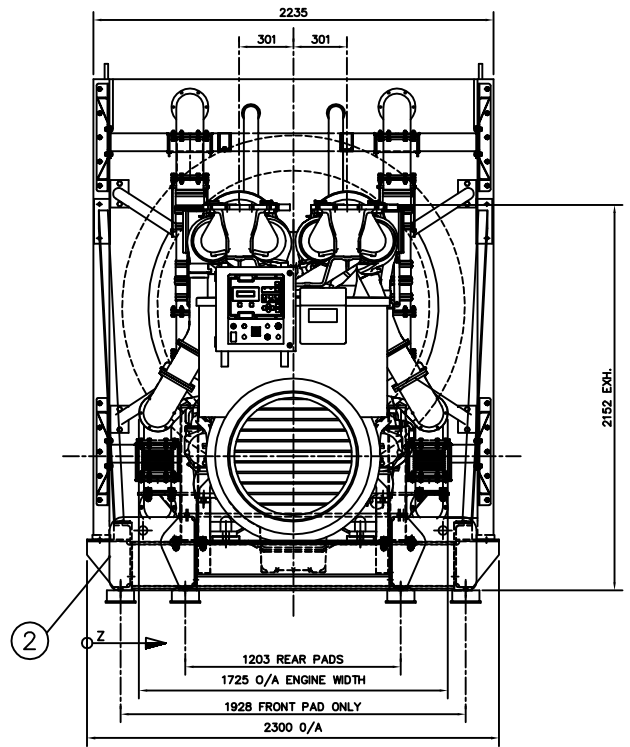
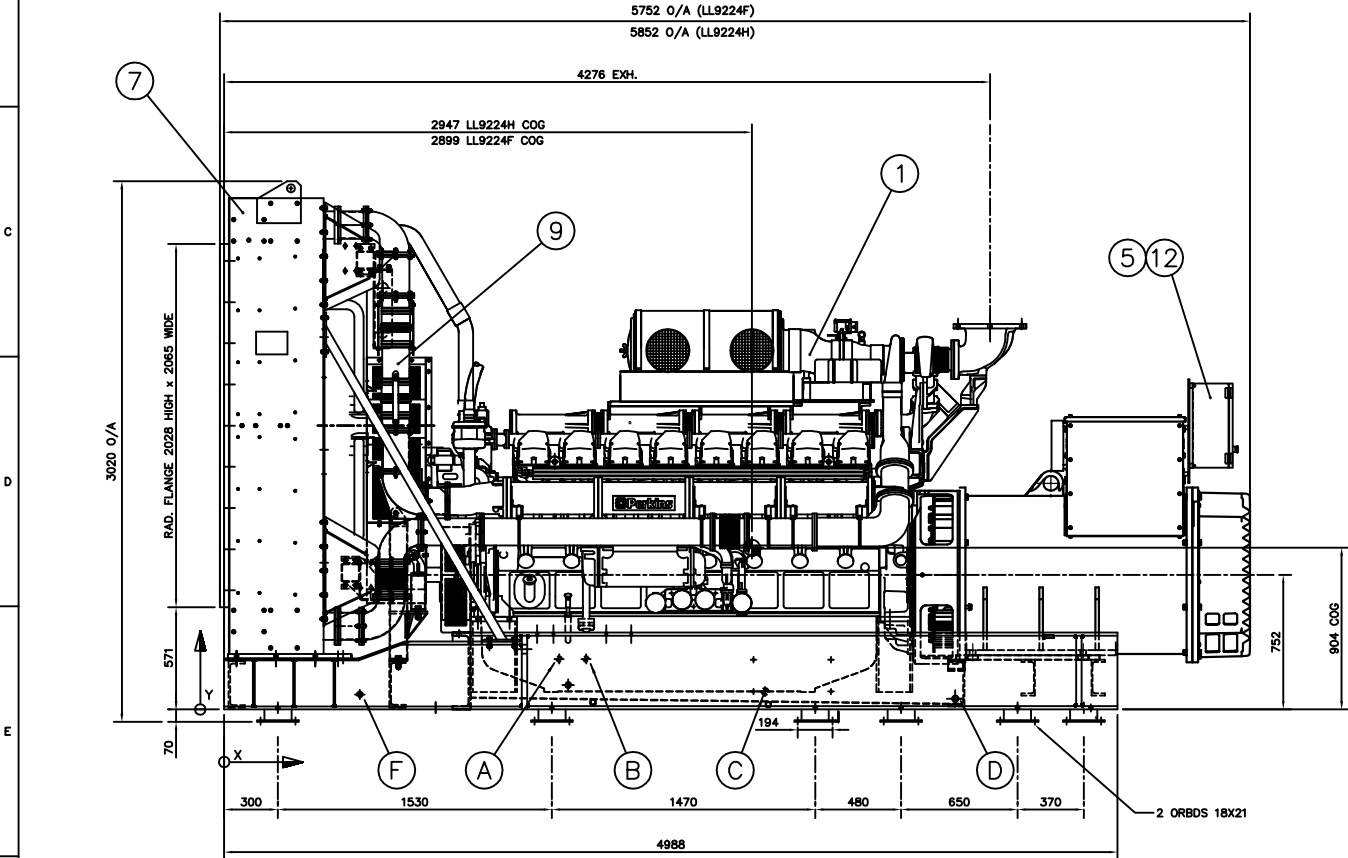
WEIGHT (kg) LL9224F	
(WITH OIL)	(WITH OIL & WATER)
15139	15455

WEIGHT (kg) LL9224H	
(WITH OIL)	(WITH OIL & WATER)
15364	15680



ITEM	QTY	DESCRIPTION	DRG./PART NO.
1	1	ENGINE/ALTERNATOR COMBINATION	366-4300
2	1	SKIDBASE GROUP	MGS4320
3	1	FUEL LINE GROUP	MGS4340
4	1	FUEL COOLER GROUP	MGS4240
5	1	CONTROL PANEL (IF FITTED)	-
6	1	BATTERY GROUP	MGS4217
7	1	RADIATOR PEDESTAL GROUP	MGS4226
8	1	WATER CIRCUIT ASSY GROUP	MGS4232
9	1	CHARGE AIR ASSY GROUP	MGS4430
10	1	BREAKER (IF FITTED)	-
11	1	COUPLING GROUP	MGS4212
12	1	PANEL UPFIT GROUP	384-7987
13	1	SENDERS GROUP	MGS4312
14	1	HAZARD LABELS GROUP	MGS4211
15	1	FAN & PULLEY GUARD GROUP	MGS4238

* ITEMS NOT SHOWN



! SPREADER BARS MUST ALWAYS BE USED WHEN LIFTING !

ISSUE	DESCRIPTION	ECR/DCR	BY	DATE
G	ENGINE/ALT GP & PANEL UPFIT GP UPDATED. EIM REMOVED	33623	J.C.	14/11/12
F	AWM POSITIONS AND PANEL LOCATION CORRECTED.	34949	J.C.	23/08/11
E	MODIFIED GA TO SHOW THE CHANGE OF BELLOWS.	33085	SG	27/01/11
D	PART LOCATIONS FOR 5 AND 12 CORRECTED	31663	SG	16/06/10
C	REPLACED PANEL WITH POWER WIZARD PANEL AND REMOVED MGS3425	27580	R.P.	28/06/07
B	ES/7: - HOLES IN FRONT LIFTING LUGS MOVED FROM 2100 PITCH TO 1675	21195	V.Y.	13/12/02
A	FIRST ISSUE	-	V.Y.	04/07/01

TOLERANCES EXCEPT WHERE OTHERWISE STATED
 0 - 500mm ± 1mm
 500 - 2000mm ± 2mm
 OVER 2000mm ± 3mm
 STRUCTURAL ± 3mm
 ANGULAR ± 1°

THIS DRAWING IS COPYRIGHTED AND MAY BE COPIED ONLY FOR THE PURPOSES OF MAINTAINING THE PURCHASED EQUIPMENT BY THE PURCHASER

DRN. BY V.YOUNG
 DATE 08/03/02
 APD. BY
 DATE

TITLE
 G.A. OF 4016TAG/1A/2A ENGINE, LEROY LL9224F/H ALTERNATOR AND COVRAD CRDA0490L1 RAD.
 SHEET SIZE A1
 ORIGINAL SCALE 1:15
 DRAWING NO. MGA5982
 ISSUE H