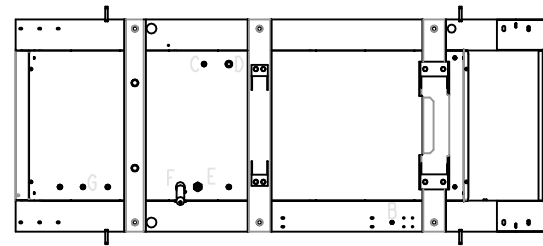


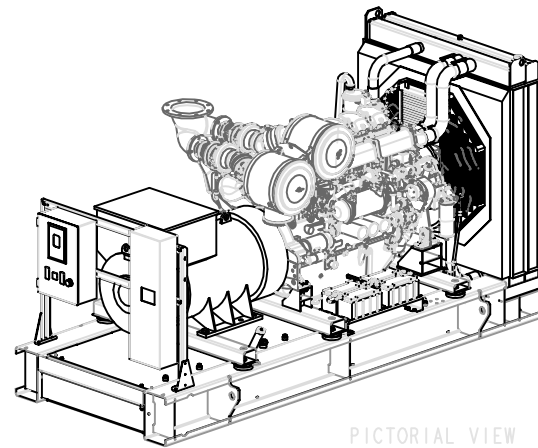
DESCRIPTION	SOCKET	DIM X	DIM Y	DIM Z	FITTING
COOLANT_DRAIN	A	500	168	1485	3/4" BSP
LUBE_OIL_DRAIN	B	1251	414	1644	3/4" BSP
REMOTE_FUEL_RETURN	C	2564	410	360	1 1/2" BSP
REMOTE_FUEL_FILL	D	2764	407	360	1" BSP
FUEL_GAUGE	E	2814	408	1349	N/A
FUEL_FILL	F	2954	592	1466	N/A
FUEL_VENT	G	3539	407	1349	1" BSP
TANK_OVERFLOW	H	4005	338	1491	1 1/2" BSP
TANK_DRAIN	I	4065	78	1491	1 1/2" BSP

GENSET	WEIGHT (Kg)	
	WITH OIL	WITH OIL & COOLANT
P650P1 / P725E1	5839	5950
P730P1 / P800E1	6059	6170
P800P1 / P900E1	6259	6370

TANKBASE	CAPACITY
STANDARD	1494L TOTAL / 1412L USEABLE



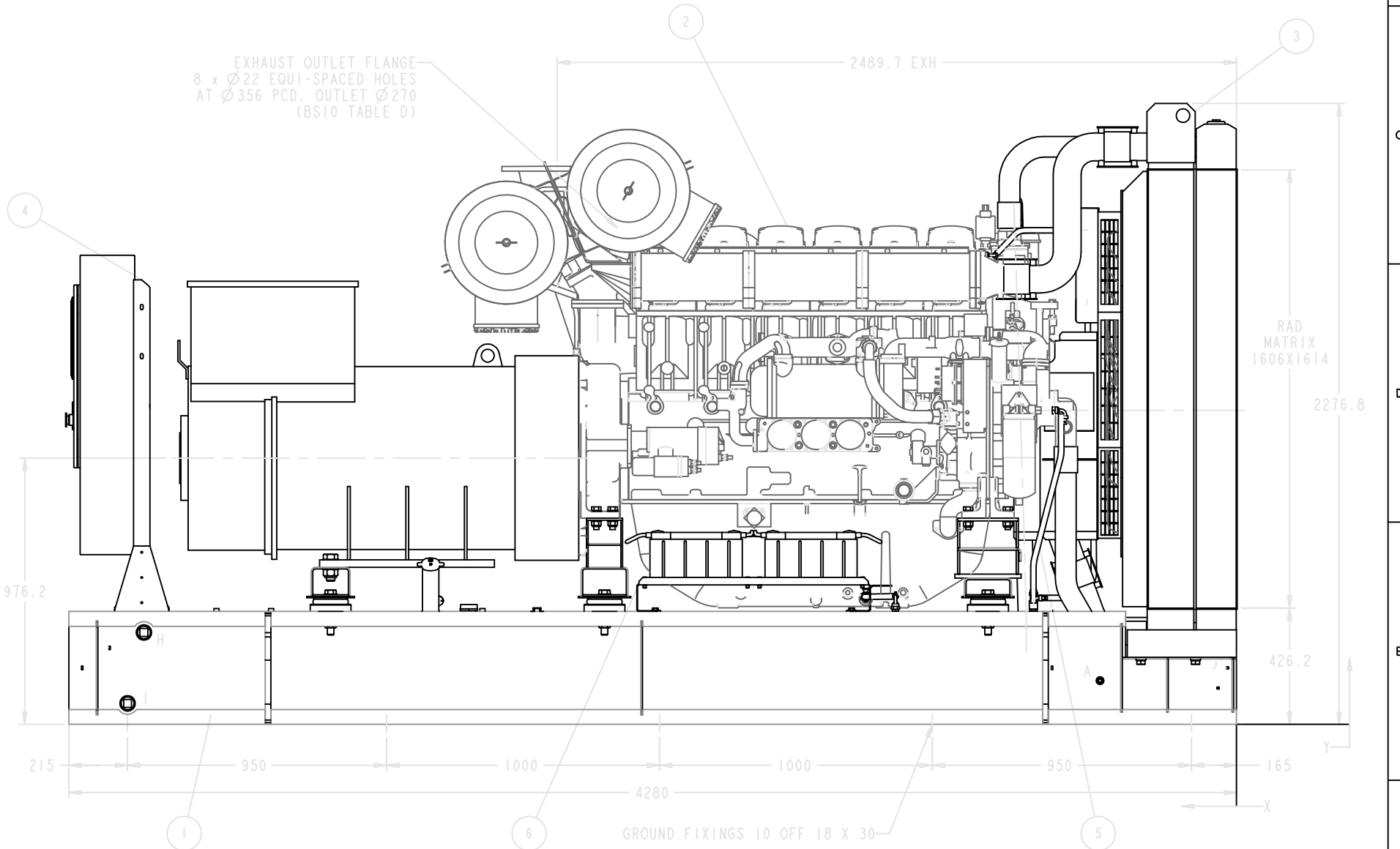
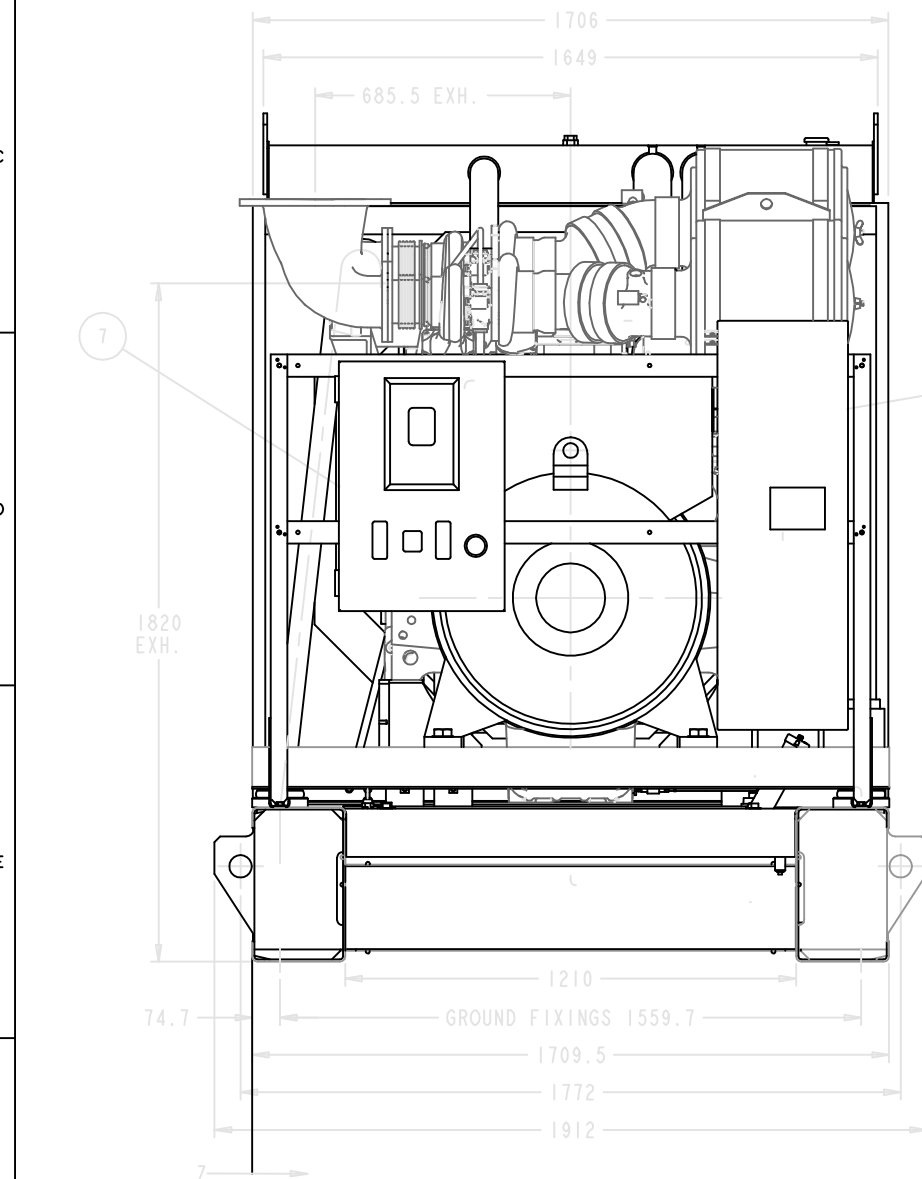
TANKBASE PLAN
SHOWING SOCKET LAYOUT



PICTORIAL VIEW
SCALE 1:30

ITEM	QTY	DESCRIPTION	DWG / PART NO.
1	1	BASE GROUP	MGS5745
2	1	ENGINE/ALTERNATOR COMBINATIONS	MGS3864
3	1	RADIATOR GROUP	MGS5746
4	1	PANEL STAND GROUP	MGS5748
5	1	FUEL LINE / BREATHER ARRANGEMENT	MGS5788
6	1	BATTERY TRAY GROUP	MGS5791
7	1	CONTROL PANEL	-
8	1	CIRCUIT BREAKER	-
9	1	LUBE OIL DRAIN ARRANGEMENT	MGS5789
10	1	COOLANT DRAIN ARRANGEMENT	MGS5790
11	1	COUPLING ARRANGEMENT	MGS3395
12	1	EXHAUST SILENCERS GROUP	MGS5838
13	1	EC HEAT GUARDS	MGS5829
14	1	CHARGE AIR PIPEWORK GUARDS	MGS5824
15	1	ENGINE WIRING GROUP	MGS5793
16	1	ALTERNATOR WIRING GROUP	MGS4138
17	1	SENDERS AND SENSORS UPFIT	MGS4312
18	1	DECAL ARRANGEMENT - UNIVERSAL LABELS	MGS4211
19	1	DECAL ARRANGEMENT - BRAND LABELS	MGS3424

* ITEM NOT SHOWN



ISSUE	DESCRIPTION	ECR	BY	DATE
C	PRO-E MODEL PROBLEMS FIXED	23924	R.M.	10/08/05
B	TANKBASE REVISED	23182	W.P.	17/03/04
A	FIRST ISSUE	22733	R.G.	11/12/03

TOLERANCES EXCEPT WHERE OTHERWISE STATED
0 - 500mm ± 1mm
500 - 2000mm ± 2mm
OVER 2000mm ± 3mm
STRUCTURAL ± 3mm
ANGULAR ± 1°
DO NOT SCALE

THIS DRAWING IS COPYRIGHTED AND MAY BE COPIED ONLY FOR THE PURPOSES OF MAINTAINING THE PURCHASED EQUIPMENT BY THE PURCHASER



DRN. BY WM GRAHAM
DATE 16-Oct-03

TITLE 4006-23 SERIES COMPACT
GENERAL ARRANGEMENT

SHEET SIZE AI
ORIGINAL SCALE 1:10
DRAWING NO./ISSUE. MGA6378 C